

NEW

Sivoia QED®

Skylight shade



The new skylight shade from Lutron® combines Sivoia QED technology with a new tension system. Fabric is kept taut and parallel to skylight regardless of slope. Now, reliably control daylight through skylights to enhance the visual environment and save energy by reducing heat gain.

Aesthetics

- Light-blocking fascia eliminates gaps around fabric when closed
- Concealed cable guides maximize view when open
- Wide variety of high performance fabrics

Design

- Unique tension-absorbing frame eliminates stress on the surrounding ceiling structure
- Reliable performance under extreme temperatures

Control

- Smooth, quiet, precise movement of skylight shades
- One-touch control through keypad or IR remote
- Seamless integration with other Lutron products and lighting controls

Installation

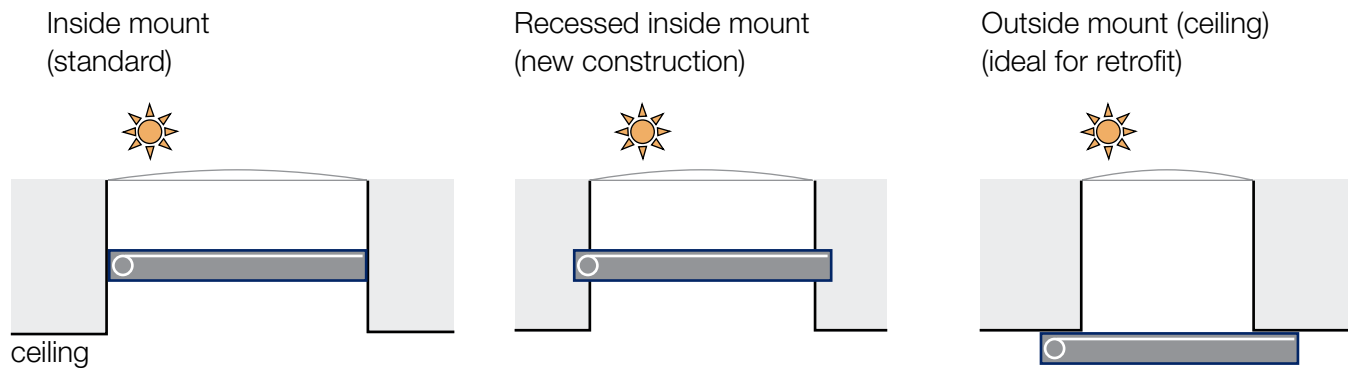
- Inside, recessed, and outside mounting options
- Pre-assembled shipping available for shade sizes up to 30 sq. ft

Sivoia QED® | Skylight shade

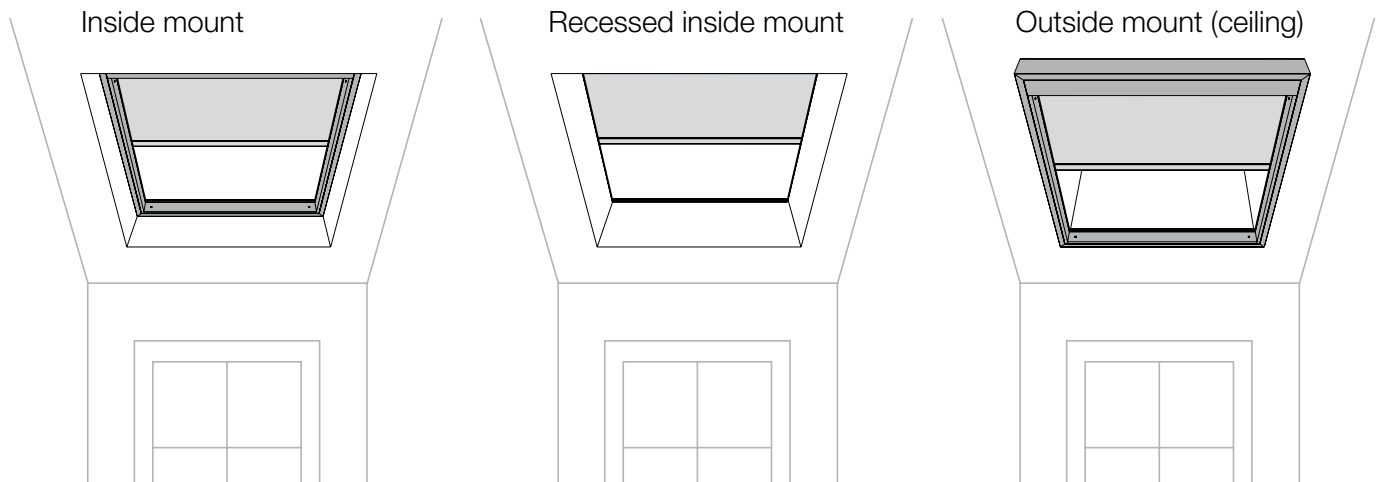
Mounting options

The Sivoia QED skylight shade can be installed inside of, recessed into, or outside of the skylight opening.

Cross-section

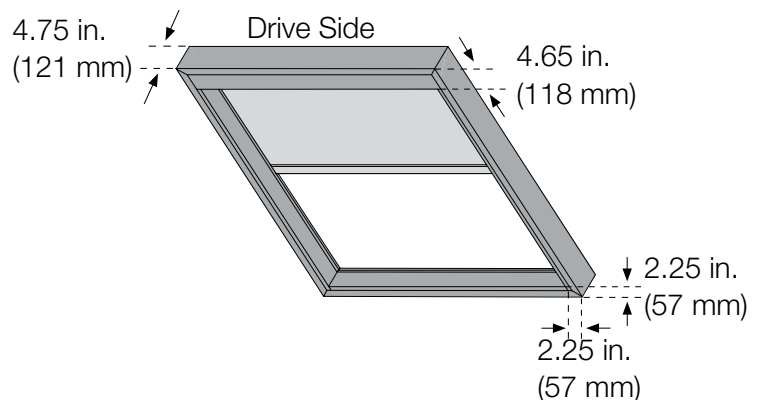


Room view



Frame specifications

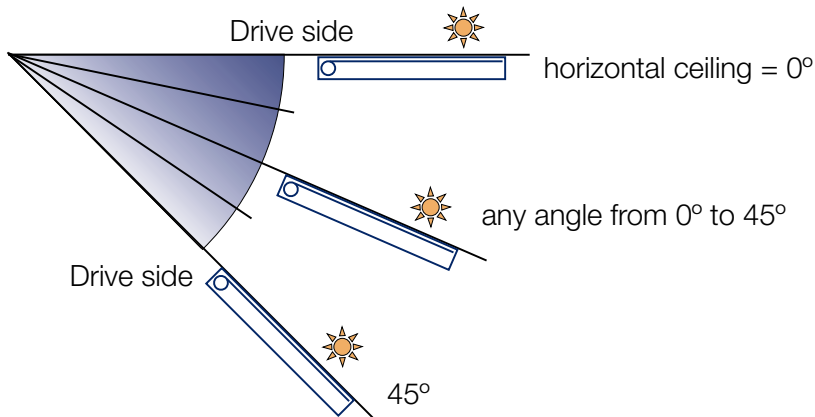
System is concealed within its frame. Frame thickness and depth are standard regardless of system size. Pre-assembled shipping available*. Available in white and anodized aluminum.



* Shade sizes up to 30 sq. ft.

Angles of installation

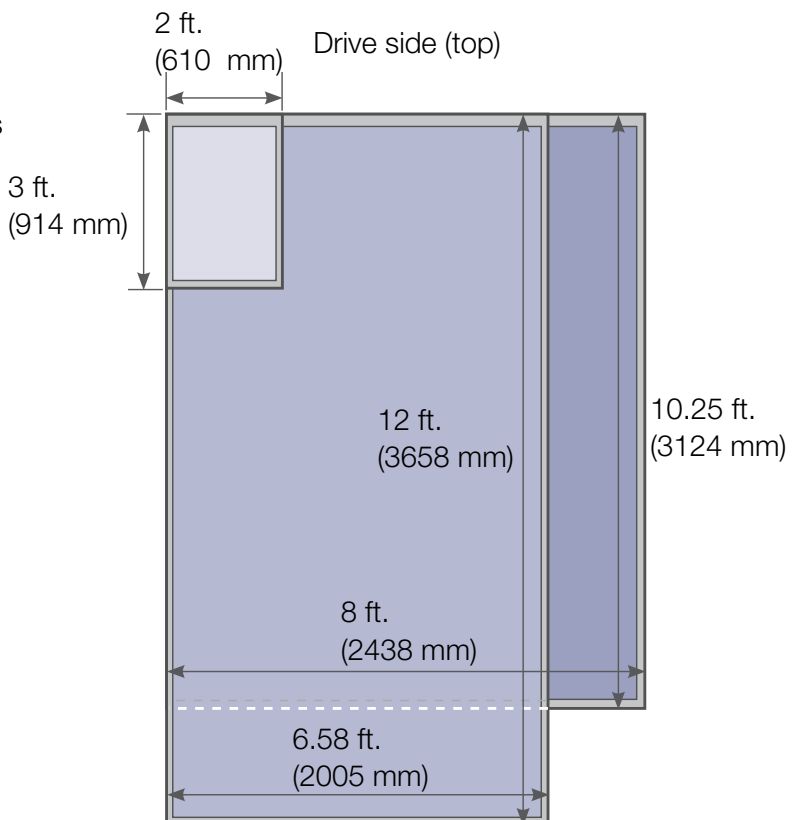
Sivoia QED® skylight shade allows for flexible installation at any angle between 0° and 45° with consistent aesthetic results. Regardless of slope, the drive side is always located at the top. Shade closes from top to bottom with fabric unrolling closest to the window.



System parameters

This chart illustrates general system dimensions of Sivoia QED skylight shade system. System contains frame and shade.

- Minimum system size:
 2 ft. wide x 3 ft. long (610 mm x 914 mm)
- Longest system:
 6.58 ft. wide x 12 ft. long
 (2005 mm x 3658 mm)
- Widest system:
 8 ft. wide x 10.25 ft. long
 (2438 mm x 3124 mm)
- Frame thickness:
 Drive side: 4.65 in. (118 mm)
 Non-drive sides: 2.25 in. (57 mm)



Note: Skylight shade dimension limitations are a function of fabric selection and application angle. Please consult the SCT or customer service for details.

Fabric options

Wide variety of sheer, dim-out, and blackout fabrics to enhance décor of commercial and residential spaces. The fabric offering meets the highest standards of extreme temperature performance and reliability.

Category	Family	Fabric	Openness Factor (%)	Number of Colors
Sheer	SheerShade®	Basketweave 90	1, 3, 5, 10	9
		Basketweave 2000	5, 10	10
		Basketweave ES	1, 3, 5, 10	10
		Basketweave MS	3, 5	20
		Basketweave TS	1, 3	10
	Designer	MS Designer	3, 5	10
	Dual-sided	Basketweave ST	5	10
Basketweave Silver		4	10	
Dim-out	Privacy	Obion	<1	4
Blackout	Standard	Standard	0	6
	Dual-sided	Premiere	0	11
		Value Premier 71	0	6

Visit www.lutron.com/skylightshade for more information.