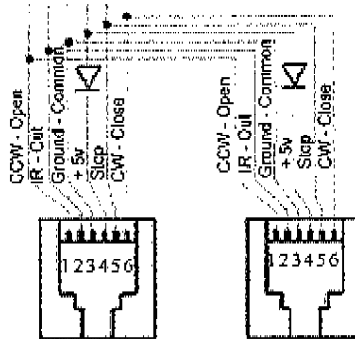


# Glystro 50 IR : Wiring schematics

Glystro 50 can be controlled by a combination of dry contacts, IR and for Glystro 50 RTS, RTS controls. The dry contacts and IR controls are accessible through 2 parallel-connected RJ11 sockets. The dry contacts control can be done through devices with 2 normally open contacts (open, close) or 3 normally open contacts (open, stop and close). For devices using 2 contacts the stop command is achieved by closing the open and close contacts. For three contact devices the stop can also be achieved with a specific stop button.

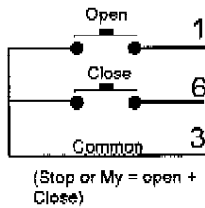
Glystro 50 integrates the MY feature which allows to command an intermediate pre set position. Individual and master controls can be achieved by using Diode boxes as show below.

## RJ 11 Sockets Pin out



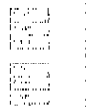
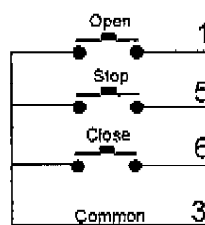
## Dry contact switches and relays types

2 Normally Open contact



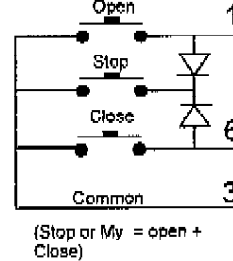
Double push buttons

3 Normally Open contact



Three push buttons

2 Normally Open contact + Stop in parallel



Centralis IB



IGC/LT switch